

Bilag 4:

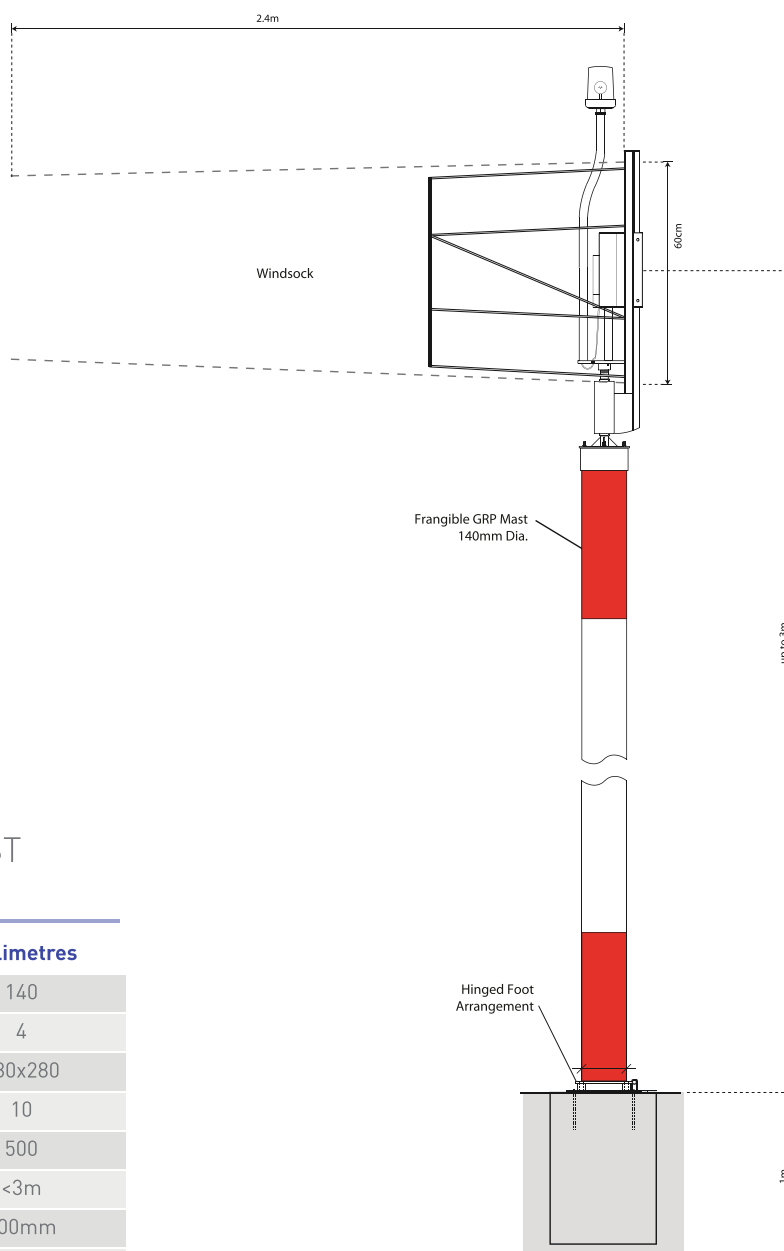
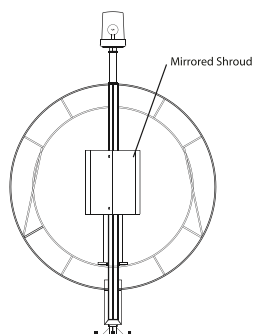
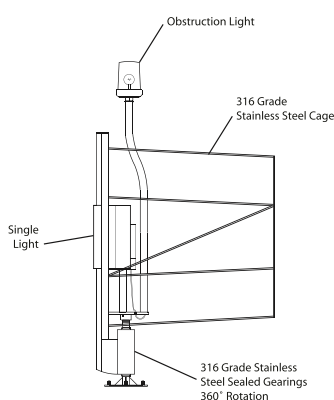
HELIPORT WINDSOCKS

TECHNICAL DRAWING



In line with ICAO Annex 14 Vol II Heliports, Pollite have designed a fully frangible and compliant windsock mast. The mast is made from fibreglass and it's frangibility certified to ICAO requirements. The windsock is affixed to a stainless steel frame which rotates 360 degrees on concealed stainless bearings and can be lit internally using a compact fluorescent or LED light source. An LED or standard rough service obstruction light is also available for this wind direction indicator

- Standard Windsock size 2.4m x 0.6m x 0.3m
- Standard Mast Height < 3m
- Windsock Colour Orange/ White / Red & White
- Designed to be visible from up to 200m above



STANDARD WINDSOCK MAST WITH INTERNAL LIGHTING

Pollite Frangible Windsock Masts	Millimetres
Pole Diameter (at Base)	140
Wall Thickness	4
Base Plate Measurements	280x280
Base Plate Thickness	10
Ground Rod Length (Total)	500
Height of Windsock above Ground	<3m
Windsock Throat Opening	600mm
Windsock Length	2400mm

Technical drawing is for illustration purposes only